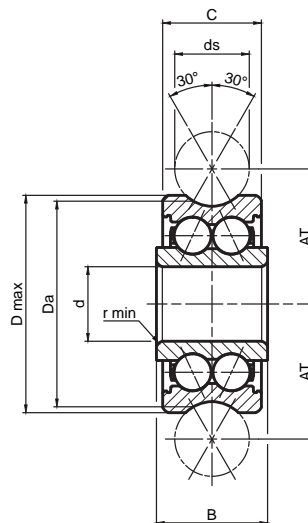


TEKALNA KOLESKA LRG / GUIDE WHEELS LRG



| TIP TYPE | TIP TYPE | DIMENZIJE / DIMENSIONS (mm) | | | | | | | | | | | |
|-------------------|-------------------|-----------------------------|-------|------|-------|------|-------|----|-------|--------|--------|--------|--------|
| 100Cr6 (standard) | INOX 1.4125 | d | D max | B | AT | C | Da | Ds | r min | Crw | Corw | Fr | Fro |
| LRG 5-16-4 2RZ | SLRG 5-16-4 2RS | 5 | 16 | 8 | 9 | 7 | 14.54 | 4 | 0.2 | 1'600 | 880 | 1'750 | 1'750 |
| LRG 5-17-6 2RZ | SLRG 5-17-6 2RS | 5 | 17 | 8 | 10.5 | 7 | 15.8 | 6 | 0.2 | 1'700 | 940 | 2'300 | 1'850 |
| LRG 8-24-6 2RZ | SLRG 8-24-6 2RS | 8 | 24 | 11 | 14 | 11 | 22.8 | 6 | 0.3 | 4'300 | 2'350 | 2'750 | 4'800 |
| LRG 12-35-10 2RZ | SLRG 12-35-10 2RS | 12 | 35 | 15.9 | 20.65 | 15.9 | 32.64 | 10 | 0.6 | 8'550 | 5'200 | 4'900 | 10'200 |
| LRG 12-35-12 2RZ | SLRG 12-35-12 2RS | 12 | 35 | 15.9 | 21.75 | 15.9 | 33.11 | 12 | 0.6 | 8'600 | 5'200 | 5'300 | 10'300 |
| LRG 12-42-10 2RZ | SLRG 12-42-10 2RS | 12 | 42 | 19 | 24 | 19 | 38.95 | 10 | 0.6 | 13'600 | 8'000 | 6'500 | 15'800 |
| LRG 15-47-10 2RZ | SLRG 15-47-10 2RS | 15 | 47 | 19 | 26.65 | 19 | 44.64 | 10 | 1 | 15'500 | 9'300 | 12'000 | 18'500 |
| LRG 20-52-16 2RZ | SLRG 20-52-16 2RS | 20 | 52 | 22.6 | 31.5 | 20.6 | 49.14 | 16 | 1 | 16'200 | 9'870 | 11'000 | 17'600 |
| LRG 25-72-20 2RZ | SLRG 25-72-20 2RS | 25 | 72 | 25.8 | 41 | 23.8 | 64.68 | 20 | 1 | 24'100 | 16'700 | 21'200 | 38'600 |
| LRG 25-72-25 2RZ | SLRG 25-72-25 2RS | 25 | 72 | 25.8 | 43.5 | 23.8 | 65.35 | 25 | 1 | 23'200 | 16'400 | 19'300 | 35'000 |

- nizek hrup, majhne vibracije, dolga življenjska doba / low noise, low vibration, highest lifetime
- optimirana tesnila (brez iztekanja masti, nizko trenje, zaščita proti prahu) / optimized sealing (no grease leakage, low friction, dust protection)
- nizka hrupnost / low acoustic noise
- visoka hitrost, visoka natančnost / high speed, high precision
- uporabno v veliko različnih aplikacijah (tekalna kolesa iz 100Cr6 (standard) ali iz nerjavnega jekla 1.4125) / used in many applications (rings in 100Cr6 (standard) or stainless steel 1.4125)
- Delovna temperatura / Operating temperature: -35°C do/to 120°C
- Tesnenje / Sealing: labirintno tesnenje NBR/Z zaščita / labyrinth seal NBR/Z shield
- Maksimalna hitrost / Max. speed: 10m/s