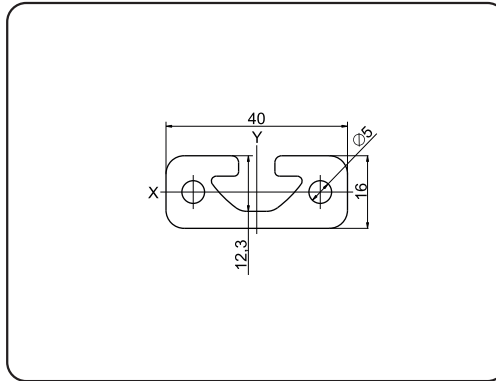
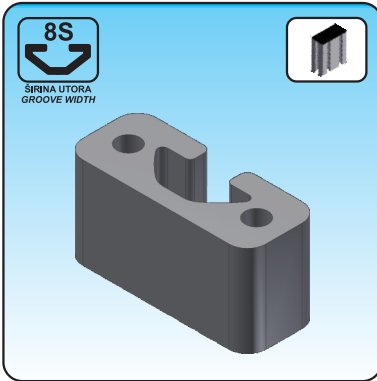


PROFIL ALU 16x40 S

KODA NAROČANJA:
ORDER CODE: **46156**



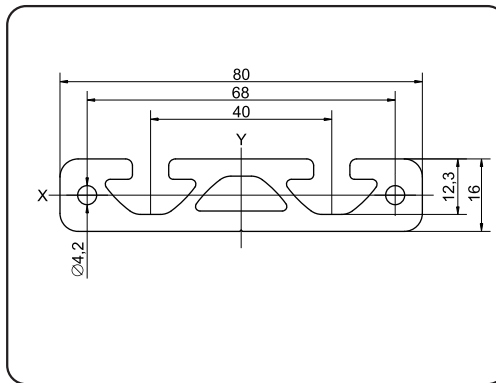
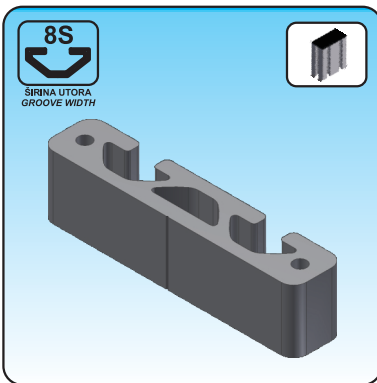
Konstruktivski podatki
Construction specifications:

$m = 1,16 \text{ kg/m}$
 $A = 4,28 \text{ cm}^2$
 $I_x = 1,09 \text{ cm}^4$
 $W_x = 1,27 \text{ cm}^3$
 $I_y = 6,95 \text{ cm}^4$
 $W_y = 3,47 \text{ cm}^3$

	12000	-	17000

PROFIL ALU 16x80 S

KODA NAROČANJA:
ORDER CODE: **47674**



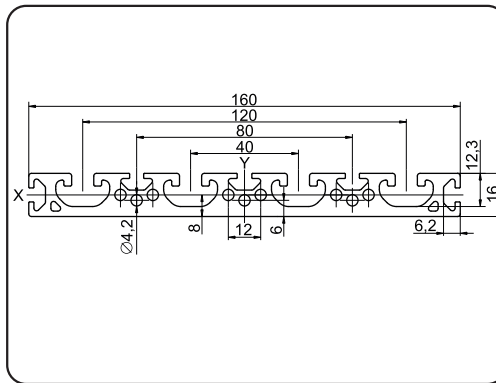
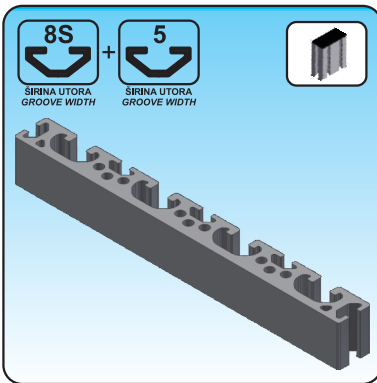
Konstruktivski podatki
Construction specifications:

$m = 2,13 \text{ kg/m}$
 $A = 7,89 \text{ cm}^2$
 $I_x = 2,20 \text{ cm}^4$
 $W_x = 2,61 \text{ cm}^3$
 $I_y = 48,01 \text{ cm}^4$
 $W_y = 12,00 \text{ cm}^3$

	12000	-	17000

PROFIL ALU 16x160

KODA NAROČANJA:
ORDER CODE: **5768**



Konstruktivski podatki
Construction specifications:

$m = 3,14 \text{ kg/m}$
 $A = 14,29 \text{ cm}^2$
 $I_x = 3,91 \text{ cm}^4$
 $W_x = 4,30 \text{ cm}^3$
 $I_y = 297,70 \text{ cm}^4$
 $W_y = 37,21 \text{ cm}^3$

	12000	-	17000